



Fond du Lac Evening Optimist Club

(Fond du Lac's First Optimist Club)

Wisconsin – Upper Michigan Dist. – Club Number 09070



January 10, 2010

To: Wisconsin North – Upper Michigan Optimist Clubs

From: Fond du Lac Evening Optimist Club

RE: **Tri-Star Invitational Basketball Skills Contest**

Once again it is time to make arrangements for entering your youth in the District Tri-Star Invitational Basketball Skills Contest. **PLEASE NOTE NEW LOCATION**

Place: Riverside School Field House
396 Linden Street (enter parking lot from 9th Street)
Fond du Lac, Wisconsin
Please use mapquest for a map and directions

Date: **Saturday, April 24, 2010**

Time: Doors open at 8:30 AM (Free coffee, orange drink, and donuts)
Competition starts at 10:00 AM

Cost: \$9.00 per entrant. Each club is limited to one boy and one girl from each age group. Maximum of 12 entries per club.
Please make payment to the Fond du Lac Evening Optimist.

Each age group, both boys and girls, will receive trophies for 1st, 2nd and 3rd places. Ribbons will be awarded for 4th, 5th and 6th places. In addition, all contestants who compete in the District Tri-Star Invitational will receive a participation ribbon. The 1st place finisher in each group will also receive a basketball. We will be using the smaller official basketballs for girls and small boys groups.

Individual entry forms for each participant must be received by Monday, April 12, 2010 for inclusion in the printed program and entry in the official tabulation PC program. **Do not send us the forms that you used in scoring your local contest.** New forms must be filled out and signed by a parent or guardian. Do not forget to mark either the boy or girl category and fill in the age as of March 15, 2008, along with the entry forms. Send the completed club registration form (enclosed). Late entries will not be accepted unless previous authorization is granted.

We are looking forward to hosting your club at this annual event. Please contact me, or use the web site www.fdl.net/optimist for additional information.

Tom Scannell, Chairman
N8215 Billene Drive
Malone, WI 53049
Home (920) 921-6586
E-Mail: tmscannell@charter.net

Post Office Box 1422, Fond du Lac, WI 54936-1422

**DISTRICT TRI-STAR BASKETBALL
CLUB REGISTRATION FORM**
This Form Due by Monday APRIL 12, 2010
Please Type or Print Clearly

(We want to be able to provide the correct spelling in the program and results forms)

Optimist Club Name _____

Club Chairman _____

Club Chairman Telephone No. _____

Date _____

Age	Name	Address (Street, City & Zip Code)	Tel. No. (Include Area Code)
	Girls		
8			
9			
10			
11			
12			
13			
	Boys		
8			
9			
10			
11			
12			
13			

Optimist Tri-Star Basketball

CHECK ONE

Boy ___ Girl ___

Entry Form and Instructions

Age (circle One) 8 9 10 11 12 13

Name _____ Telephone (____) _____

Address _____

School Name _____ Date of Birth ____/____/____

Parent's Permission _____ Parents are welcome at the contest

- Participants may compete in only one local contest
- Participants will compete against others of the same age as of March 15th
- Gym shoes will be required
- Decisions of the judges will be final

Contest Information Place _____

Date: ____/____/____ Time: _____

Dribbling Skill

Each of the participants will attempt to dribble through four cones and return through the course as quickly as possible. Three points will be deducted from a base score of 75 points for each second of elapsed time. For example, if a participant takes 20 seconds to complete the course, the participants score is 15. $(75 - (3 \times 20) = 15$.

Number of seconds elapsed = x $75 - (3x)$ = score

TIME _____

SCORE _____

Passing Skill

Each participant will be allowed six attempts; three bounces and three chest or overhead passes at a designated target from an assigned distance. Participant will be allowed one step toward passing line and must not touch or go over it.

Distance from Target: AGE 8-9 / 12' AGE 10-11 / 13' AGE 12-13 / 18'

3 DIRECT PASSES _____ 3 DIRECT BOUNCE PASSES _____

5 points each time a target is hit = SCORE _____

Shooting Skill

Each participant will be allowed six attempts; four free throw attempts at varying distance according to age, and two attempts from anywhere on the court outside of the key area. Attempt will be invalidated if a participant steps on or over the assigned free throw line.

Distance from Basket: AGE 8-9 / 11' AGE 10-11 / 12' AGE 12-13 / 15'

4 FREE THROWS _____ 2 OTHER THROWS _____

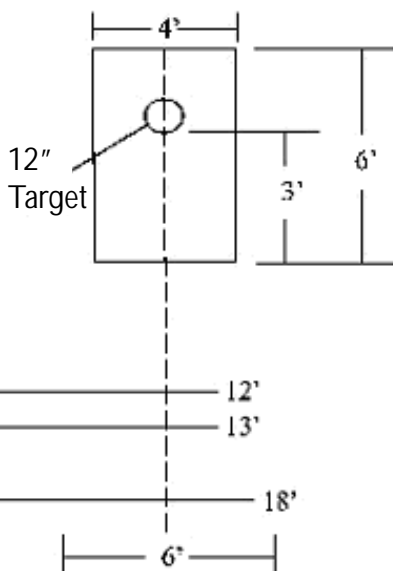
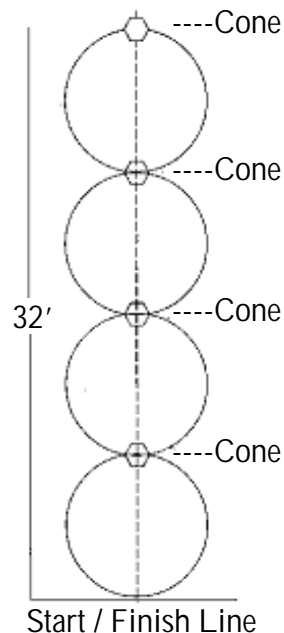
10 points each basket made = SCORE _____

TOTAL SCORE (three events) _____

For additional forms, please photocopy

DRIBBLING SKILL

Each contestant must dribble through a prescribed course of four obstacles laid out in a straight line, weaving in and out of the obstacles, circling the last one and returning through the course in the same fashion. The course is 32' long, with the obstacles 8' apart. Each contestant starts with 75 points and three points are deducted for each second of elapsed time.



PASSING SKILL

Each contestant will have three direct passes and three bounce passes at the target. Contestants age 8 & 9 will pass from the 12' mark; age 10 & 11 will pass from the 13' mark; and age 12 & 13 will pass from the 18' mark. Five points will be awarded for each pass in which the ball touches the target; NO POINTS will be awarded if the ball does not touch the target. Perfect score is 30 points. Target is a 12" circle, 1 1/2 inch thick, and mounted on a sheet of 3/4" x 4' x 6' plywood.

SHOOTING SKILL

Each contestant will have 6 shots; 4 free throws at varying distances according to age, and 2 shots from anywhere on the court outside the key area. Free throws for contestants 8 & 9 will be from 11' from the backboard; contestants 10 & 11 will be from 12' from the backboard, and contestants 12 & 13 will use the regular free throw line, which is 15' from the backboard. Each basket made is scored 10 points. Perfect score – 60 points. Shot is invalidated if contestant steps over or on the assigned free throw line.

